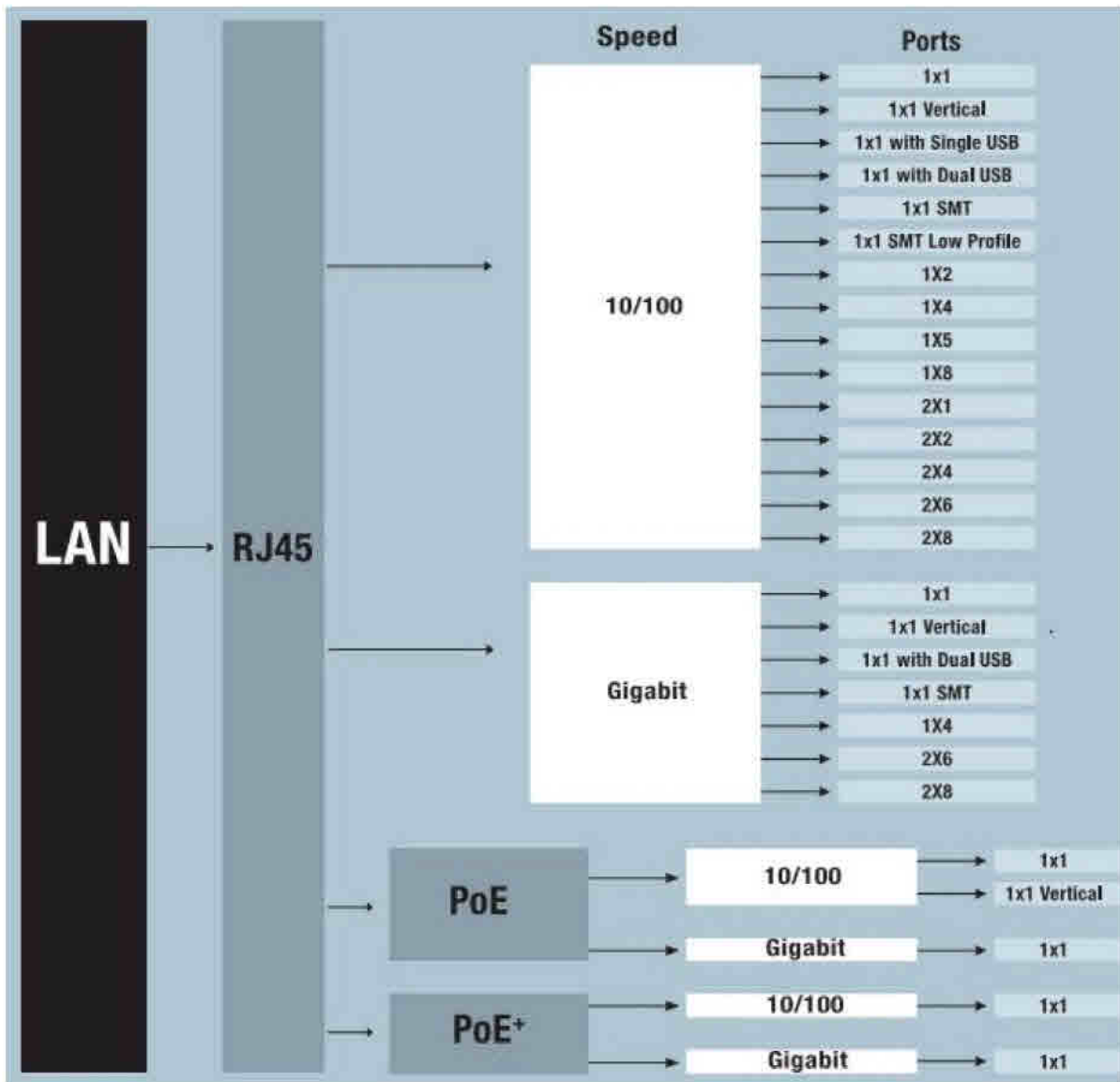


# LINK-PP

## Main products list:

- 1) 10/100/1000/10G Lan Magnetics Transformer Module
- 2) RJ45 Connector with 10/100/1000/10G Magnetic
- 3) T1/E1,T3/DS3/E3/STS-1 Interface Line Transformer
- 4) Transceivers and Transponders for Datacom and Telecom Applications

- RJ45 connector with Magnetic



## 10/100Base-TX RJ45 Connector With Integrated Magnetics(Tab-Up)

*Link-PP Int'l Technology*

- ※Designed to support applications, such as SOHO (ADSL Modems), LAN-on-Motherboard (LOM), Hub and Switches.
- ※1x1 Tab-up RJ45 with internal magnetics
- ※Available with or without LEDs
- ※Meets or exceeds IEEE 802.3 standard for 10/100Base-T
- ※350uH minimum OCL with 8 mA bias current
- ※For RoHS part add suffix NL
- ※RoHS "NL" peak solder rating 235°C



## Through Hole Tab-Up RJ45 Jack With 10/100/1000 Magnetic

*Link-PP Int'l Technology*

- ※1X1 Tab-UP,0.85" & 1" long with internal magnetics for 10/100/1000 Base-TX
- ※Internal magnetics options available
- ※350  $\mu$  H minimum OCL with 8 mA bias current
- ※For RoHS part add suffix NL
- ※RoHS NL peak solder rating 235°C



## Through Hole Tab-Up RJ45 Jack With 10/100/1000 Magnetic

*Link-PP Int'l Technology*

- ※1X1 Tab-UP,0.85" & 1" long with internal magnetics for 10/100/1000 Base-TX
- ※Internal magnetics options available
- ※350  $\mu$  H minimum OCL with 8 mA bias current
- ※For RoHS part add suffix NL
- ※RoHS NL peak solder rating 235°C



## 10/100/1000 Base-T RJ45 Connector With Integrated Magnetics(Tab-UP)

*Link-PP Int'l Technology*

- ※Designed to support Network Interface Cards(NIC), LAN-on-Motherboard (LOM), And PC applications.
- ※1x1 Tab-UP RJ45 with internal magnetics
- ※Available with or without LEDs
- ※Meets or exceeds IEEE 802.3 standard for 10/100/1000 Base-T
- ※350uH minimum OCL with 8 mA bias current
- ※For RoHS part add suffix NL
- ※RoHS "NL" peak solder rating 235°C



## Surface Mount 1×1 Tab-Up RJ45 Jack With 10/100 Magnetics

*Link-PP Int'l Technology*

- ※Available in Tape & Reel format
- ※SMT product available with or without LEDs
- ※Internal magnetics:100% electrically tested for HI-POT & continuity
- ※For RoHS part add suffix NL\*
- ※RoHS NL peak solder rating 235°C



## Vertical RJ45 Connector With 10/100 Base-TX Magnetic

*Link-PP Int'l Technology*

- ※Meets IEEE 802.3 and ANSI X3.263 standards, including 350  $\mu$ H OCL with 8 mA bias
- ※Designed for reflow soldering at temperature  $230 \pm 5^\circ\text{C}$
- ※Compact footprint for use in the most space restrictive applications
- ※For RoHS part add suffix NL
- ※RoHS "NL" peak solder rating 235°C



## RJ45 10/100 Base-TX Jack/Single USB Combo

*Link-PP Int'l Technology*

- ※Lan interface suitable for 10/100 Base-TX applications.
- ※RJ45/USB stacked design saves on PCB real estate
- ※USB module complies with USB 2.0 standards and meets CAT FAST Ethernet industry performance standard
- ※Meets or exceeds IEEE 802.3 and ANSI X3.263 standards including 350  $\mu$ H minimum OCL with 8 mA bias current
- ※For RoHS part add suffix NL
- ※RoHS "NL" peak solder rating 235°C



## RJ45 10/100 Base-TX Jack/Dual USB Combo

*Link-PP Int'l Technology*

- ※Lan interface suitable for 10/100 Base-TX applications
- ※RJ45/USB stacked design saves on PCB real estate
- ※USB module complies with USB 2.0 standards and meets CAT FAST Ethernet industry performance standard
- ※Meets or exceeds IEEE 802.3 and ANSI X 3.263 standards including 350  $\mu$ H min OCL with 8mA bias current



## Through Hole RJ45/Dual USB Jack With 10/100/1000 Magnetics

*Link-PP Int'l Technology*

- ※ Lan interface suitable for 10/100/1000 Base-TX applications
- ※ RJ45/USB stacked design saves on PCB real estate
- ※ USB module complies with USB 2.0 standards and meets CAT FAST Ethernet industry performance
- ※ Meets or exceeds IEEE 802.3 and ANSI X 3.263 standards including 350uH min OCL with 8mA bias
- ※ Hipot : 1500Vrms
- ※ For RoHS part add suffix NL
- ※ RoHS "NL" peak solder rating 235°C



## 10/100 Base-T RJ45 2×1 Tab-Down(Up) Jack With Magnetic Modules

*Link-PP Int'l Technology*

- ※ RJ45 2x1, with internal magnetics
- ※ Options: 2x1 for 10/100 Base-TX
- ※ Suitable for CAT 5/5e Fast Ethernet cable or better UTP
- ※ Internal magnetics are 100% electrically tested for HI-POT and functionality
- ※ 350uH minimum OCL with 8mA bias current
- ※ For RoHS part add suffix NL, RoHS NL peak solder rating 235°C



## 10/100 Base-T RJ45 2×N Tab-Down(Up) Jack With Magnetic Modules

*Link-PP Int'l Technology*

- ※ RJ45 2xN, with internal magnetics
- ※ Options: 2x2, 2x4, 2x6, and 2x8 for 10/100 Base-TX
- ※ Suitable for CAT 5/5e Fast Ethernet cable or better UTP
- ※ Internal magnetics are 100% electrically tested for HI-POT and functionality
- ※ 350uH minimum OCL with 8mA bias current
- ※ For RoHS part add suffix NL, RoHS NL peak solder rating 235°C



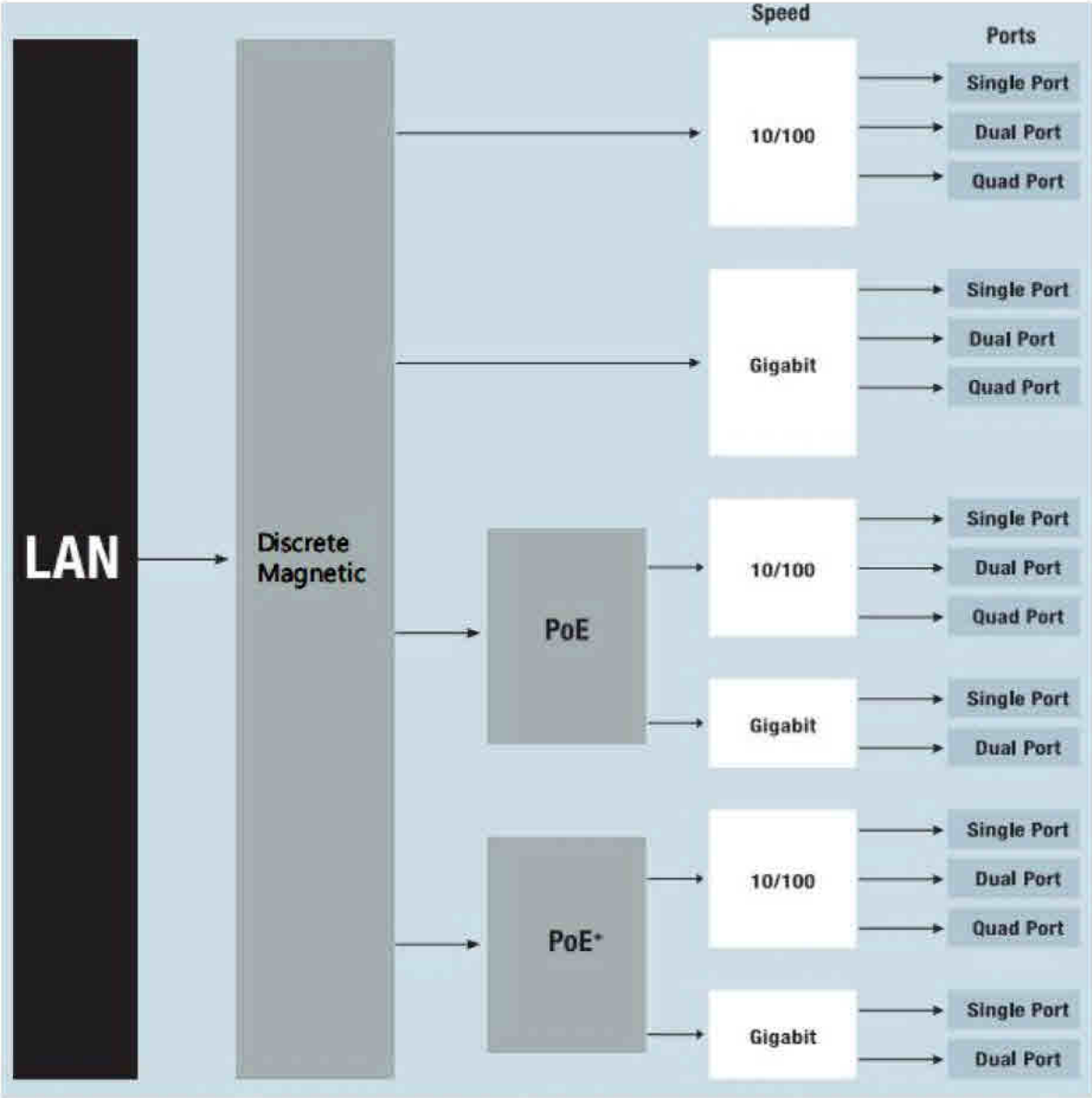
## Through Hole Tab-Down RJ-45 Jack With Gigabit Magnetic

*Link-PP Int'l Technology*

- ※ Single port Tab-Down with internal magnetics for 1000 Base-TX
- ※ Internal magnetics options available
- ※ 350uH minimum OCL with 8 mA bias current
- ※ For RoHS part add suffix NL
- ※ RoHS "NL" peak solder rating 235°C



● Magnetic Modules



### 10/100Base-T Single Port Transformer Modules

*Link-PP Int'l Technology*

- ※1:1 transmits turns ratios compatible with various IC manufacturers.
- ※Meets all IEEE standards including 350  $\mu$  H OCL with 8 mA bias
- ※For RoHS compliant parts add suffix NL
- ※RoHS NL peak solder rating 235°C



### 10/100Base-T Single Port Transformer Modules

*Link-PP Int'l Technology*

- ※With various turns ratios
- ※Meets IEEE 802.3 and ANSI X3.263 standards, including 350  $\mu$  H OCL with 8 mA bias
- ※For RoHS part add suffix NL\*
- ※RoHS NL peak solder rating 235°C



### 10/100Base PC Card Lan Magnetic Modules

*Link-PP Int'l Technology*

- ※Low profile package
- ※Isolation voltage: 1500 Vrms
- ※For RoHS part add suffix NL\*
- ※RoHS NL peak solder rating 235°C



### 10/100Base-TX Quad Port Transformer Modules

*Link-PP Int'l Technology*

- ※1:1 transmit and receive turn ratios
- ※Compatible with various IC manufacturers
- ※Compliant with IEEE standards
- ※1500 Vrms Isolation voltage
- ※For RoHS part add suffix NL
- ※RoHS NL peak solder rating 235°C



## 10/100Base-TX Quad Port Transformer

### Modules

*Link-PP Int'l Technology*

- ※ Symmetrical TX and RX Channels For Auto MDI/MDIX capability
- ※ Approved for use with the Broadcom BCM5226 and Level One LXT9784
- ※ Compliant with IEEE 802.3u and ANSI X3.263 standards including 350 uH OCL with 8 Ma bias
- ※ For RoHS part add suffix NL
- ※ RoHS NL peak solder rating 235°C



## Gigabit Transformer Modules With Power Over Ethernet Option

*Link-PP Int'l Technology*

- ※ Meets IEEE 802.3 specification
- ※ For RoHS part add suffix NL
- ※ RoHS "NL" peak solder rating 235°C



## 1000Base-T Magnetics Modules

*Link-PP Int'l Technology*

- ※ Designed to Support 1:1 Turns Ratio Transceivers
- ※ Compliant with IEEE 802.3ab standard for 1000Base-T
- ※ For RoHS part add suffix NL\*



## 1000Base-T Magnetics Modules

*Link-PP Int'l Technology*

- ※ Meets IEEE 802.3 specification
- ※ Designed to support 1:1 turns ratio transceivers
- ※ Designed for long haul Gigabit Ethernet(10/100/1000BASE-T) applications
- ※ LP5008 designed to fit behind 1x1 RJ45 connector
- ※ Cable interface for isolation and low common mode emissions
- ※ For RoHS part add suffix NL
- ※ RoHS "NL" peak solder rating 235°C



## 10/100/1000 Base-TX 1×4 Port Transformer Modules

*Link-PP Int'l Technology*

- ※With Various Turns Ratios
- ※Meets all IEEE Standards including 350  $\mu$  H OCL With 8 mA bias
- ※For RoHS Parts add Suffix NL
- ※RoHS NL peak solder rating 235°C



## 10GBASE-T Magnetics Modules

*Link-PP Int'l Technology*

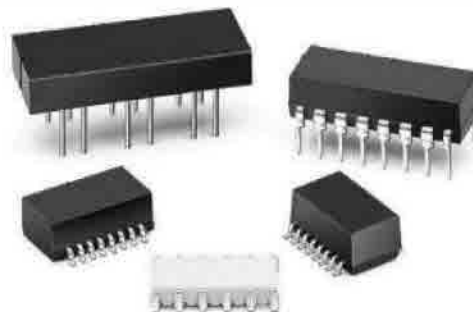
- ※Designed to Support 10GBASE-T Transceivers
- ※Compliant with IEEE 802.3 standard
- ※Qualified with top 10Gig PHY Manufacturer
- ※RoHS peak reflow temperature rating: 245°C
- ※Low profile package for PCI Express
- ※Fine-tuned magnetics to specific PHY vendors



## Isolation Transformers For Ethernet

*Link-PP Int'l Technology*

- ※For Ethernet AUI Transformers
- ※ Low leakage inductance and coupling capacitance for faster rise times
- ※SMT,DIP package
- ※For RoHS Parts add Suffix NL
- ※RoHS NL peak solder rating 235°C



## ADSL Line LPAnformer

*Link-PP Int'l Technology*

- ※For Globespan G7000 ADSL Chipset
- ※ Designed for CenLPAI Office (CO) and Customer Premise (CPE) applications
- ※Excellent THD performance in a small footprint
- ※ Designed to meet UL 1950 and EN60950 supplementary insulation requirements for working voltages up to 250 Vrms
- ※For RoHS part add suffix NL
- ※RoHS NL peak solder rating 235°C

